



A Z U M A
Design



AS5039 TEST REPORT

Sliding door

Azuma Design Pty Ltd

Head Office: 52 Justin Street, Smithfield NSW 2164 Australia PH: 61 (02)9604 0255
Address: Perth Office: Unit1/2 Meares Way, Canning Vale WA 6155 PH: 61 (08)9455 5721

AZUMA TESTING REPORT #AZT0298.14
SLIDING SECURITY SCREEN DOOR

Manufactured By: Prowler Proof

Tested By: Rob Irwin Date: 15/10/14

Certified By: Rob Irwin Date: 15/10/14

Witnessed By: Ash Horne Date: 15/10/14

Details of Door Infill

Manufactured By: Prowler Proof Type: III
Material thickness: 1.6mm Spacing: 1.6mm
Aperture: 2.5mm Material type and grade: Aluminium

Details of Test Door

Sample Identification: Protec Sliding Door

Size: 1770 (W) x 2190 (H) mm

Gap between Door and Mounting Frame Lock Side (mm): N/A

Type of Material Used in Mounting Frame: Treated Pine

Constructional Description of Test Door: Sliding door, with perforated mesh. Constructed in required timber frame.

Lock Description: Lockwood Trilock

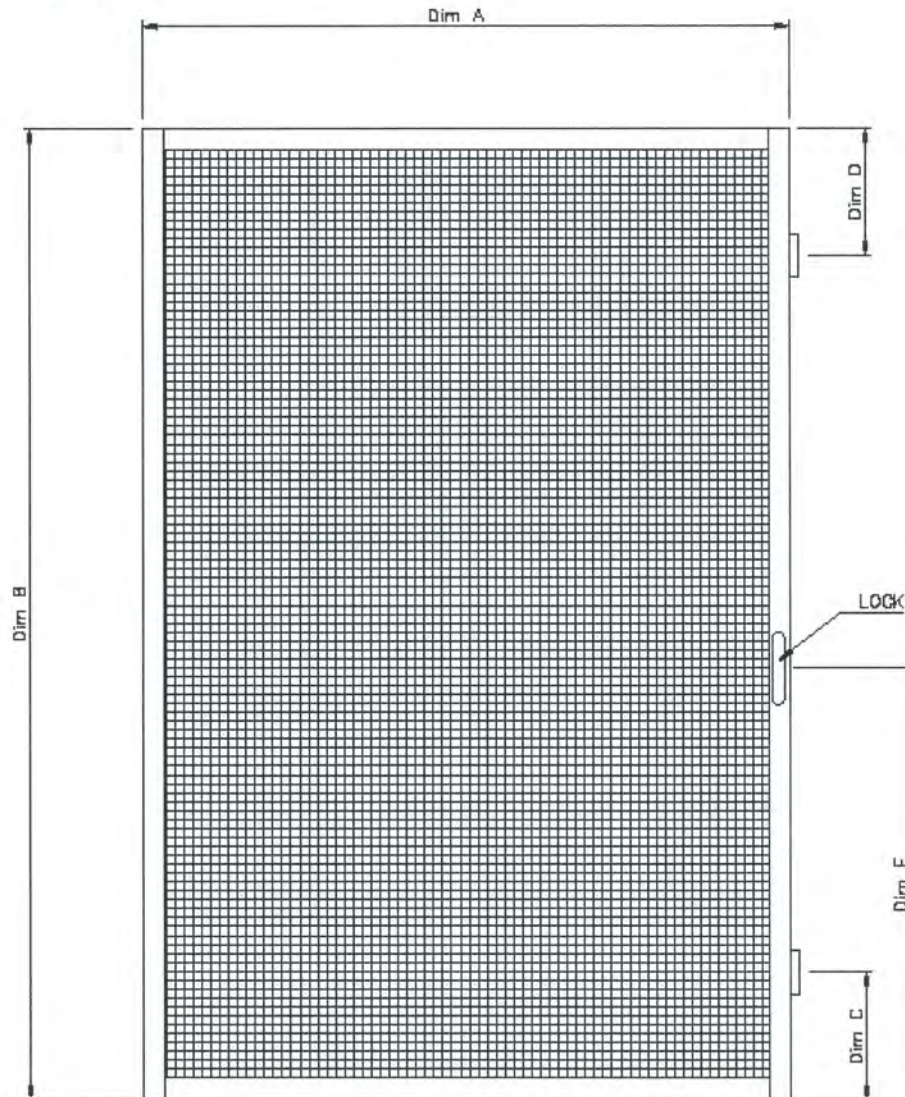
Azuma Design Pty Ltd

Head Office: 52 Justin Street, Smithfield NSW 2164 Australia PH: 61 (02)9604 0255
Address: Perth Office: Unit1/2 Meares Way, Canning Vale WA 6155 PH: 61 (08)9455 5721

AZUMA TESTING REPORT #AZT0298.14

SLIDING SECURITY SCREED DOOR

Dimensions (in mm):



- Dimension A =** 1250mm
- Dimension B =** 2020mm
- Dimension C =** 290mm
- Dimension D =** 270mm
- Dimension E =** 1200mm

Azuma Design Pty Ltd

Head Office: 52 Justin Street, Smithfield NSW 2164 Australia PH: 61 (02)9604 0255
 Address: Perth Office: Unit1/2 Meares Way, Canning Vale WA 6155 PH: 61 (08)9455 5721

AZUMA TESTING REPORT #AZT0298.14

SLIDING SECURITY SCREEN DOOR

Dynamic Impact Test

Check weight of Impact bag: 44.120 kilograms

Drop Height of Impact bag for 100 J blow: (using formula $\frac{10204}{w} = h$)

w = weight of bag in kilograms
h = drop height in millimeters

Observations

Standard: 13mm

Impact 1: 20mm

Impact 2: 22mm

Impact 3: 22mm

Impact 4: 23mm

Impact 5: 23mm

Result: PASS

Remarks: NIL

Azuma Design Pty Ltd

Head Office: 52 Justin Street, Smithfield NSW 2164 Australia PH: 61 (02)9604 0255
Address: Perth Office: Unit1/2 Meares Way, Canning Vale WA 6155 PH: 61 (08)9455 5721

AZUMA TESTING REPORT #AZT0298.14

SLIDING SECURITY SCREEN DOOR

Lock and Hinge Lever Test

LOCATION	PASS	FAIL	FORCE (N)	REMARKS
CENTRE LOCK Stage 1	✓		43.6/439.1	2 attempts
CENTRE LOCK Stage 2	✓			N/A unable to engage
BOTTOM LOCK Stage 1	✓		813/174.9	2 attempts
BOTTOM LOCK Stage 2	✓			N/A unable to engage
TOP LOCK Stage 1	✓		6.7/17.1	2 attempts
TOP LOCK Stage 2	✓			N/A unable to engage

Result: PASS

Remarks: NIL

	P	F	Force	Remark
Centre lock no strip 90° stage 2	✓		758.9	Strip was removed by customer to test strength of lock against attack

Azuma Design Pty Ltd

Head Office: 52 Justin Street, Smithfield NSW 2164 Australia PH: 61 (02)9604 0255
Address: Perth Office: Unit1/2 Meares Way, Canning Vale WA 6155 PH: 61 (08)9455 5721

AZUMA TESTING REPORT #AZT0298.14
SLIDING SECURITY SCREEN DOOR

CONCLUSION

<u>Test</u>	<u>Result</u>
Dynamic Impact test:	PASS
Lock and Hinge lever test:	PASS

SIGNATORY NAME: Rob Irwin

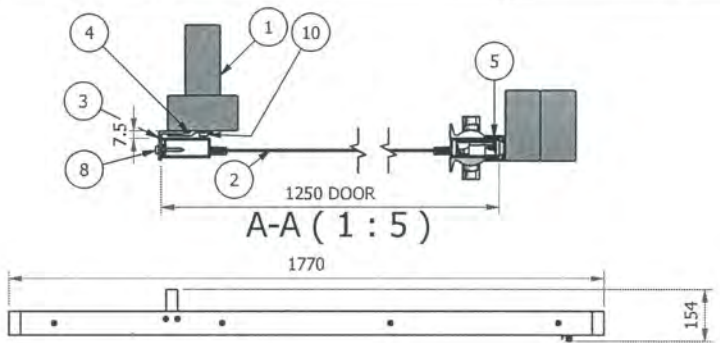
SIGNATURE: 

DATE: 21/10/14

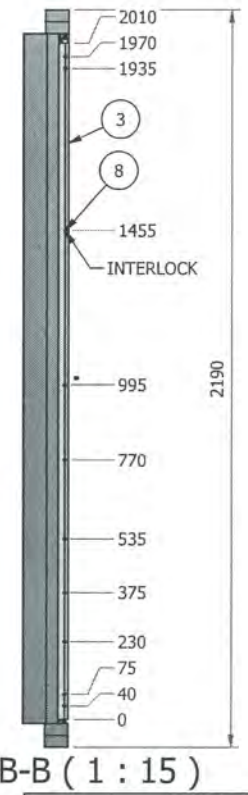
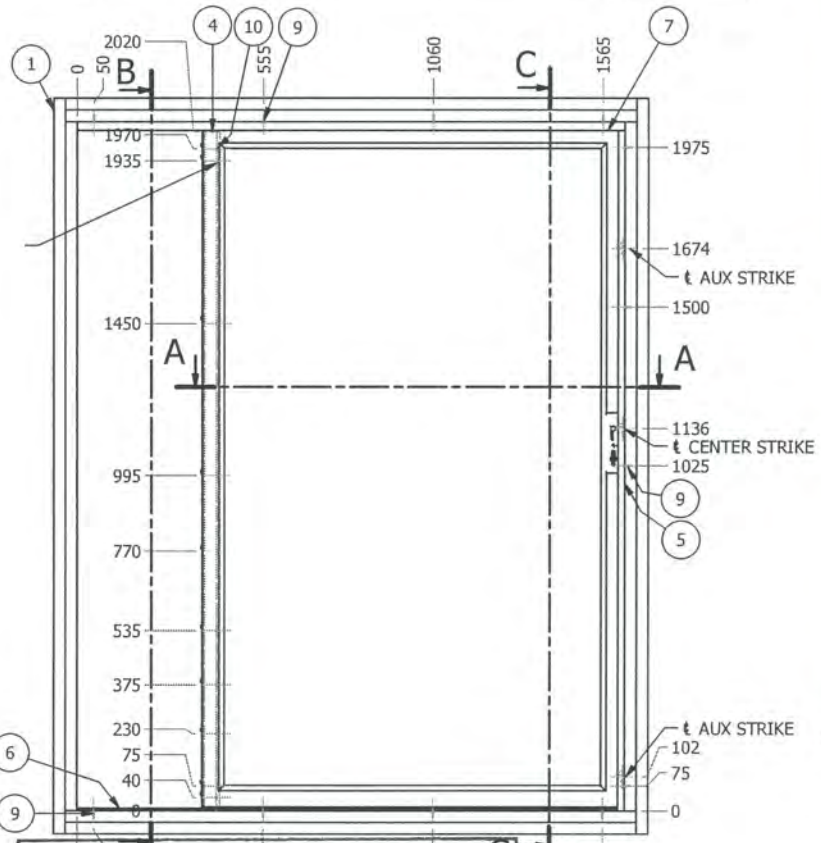
Azuma Design Pty Ltd

Head Office: 52 Justin Street, Smithfield NSW 2164 Australia PH: 61 (02)9604 0255
Address: Perth Office: Unit1/2 Meares Way, Canning Vale WA 6155 PH: 61 (08)9455 5721

IF IN DOUBT ASK 1



BILL OF MATERIALS			
ITEM	QTY	PART NUMBER	DESCRIPTION
1	1	P10-000066	SLIDING DOOR - TEST FRAME
2	1	P10-000069	PROTEC - SLIDING DOOR
3	1	P10-000045	INTERLOCK HD DOOR
4	1	P10-000047	INTERLOCK HD 3MM
5	1	P10-000048	U CHANNEL - 25X20MM
6	1	P10-000049	SILL TRACK
7	1	P10-000046	SLIDING HEAD TRACK - 25X25MM
8	10	AW20 4.2x25MM	ZEBRA PIAS-PAN HEAD
9	12	DIN ISO 7049	TAPPING SCREW ST3.5 x 25 - C - Z
10	10	AW20 4.5x25MM	PAN HEAD



ISOMETRIC VIEW

702

NATA Accredited Laboratory
 Number: 15147
FRONT VIEW (1:15)
 This laboratory is accredited by the National Association of Testing Authorities, Australia. The tests reported herein have been performed in accordance with its scope of accreditation. This document shall not be reproduced, expressed or implied.

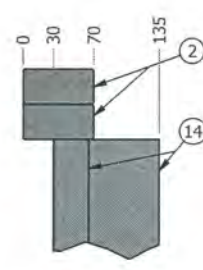
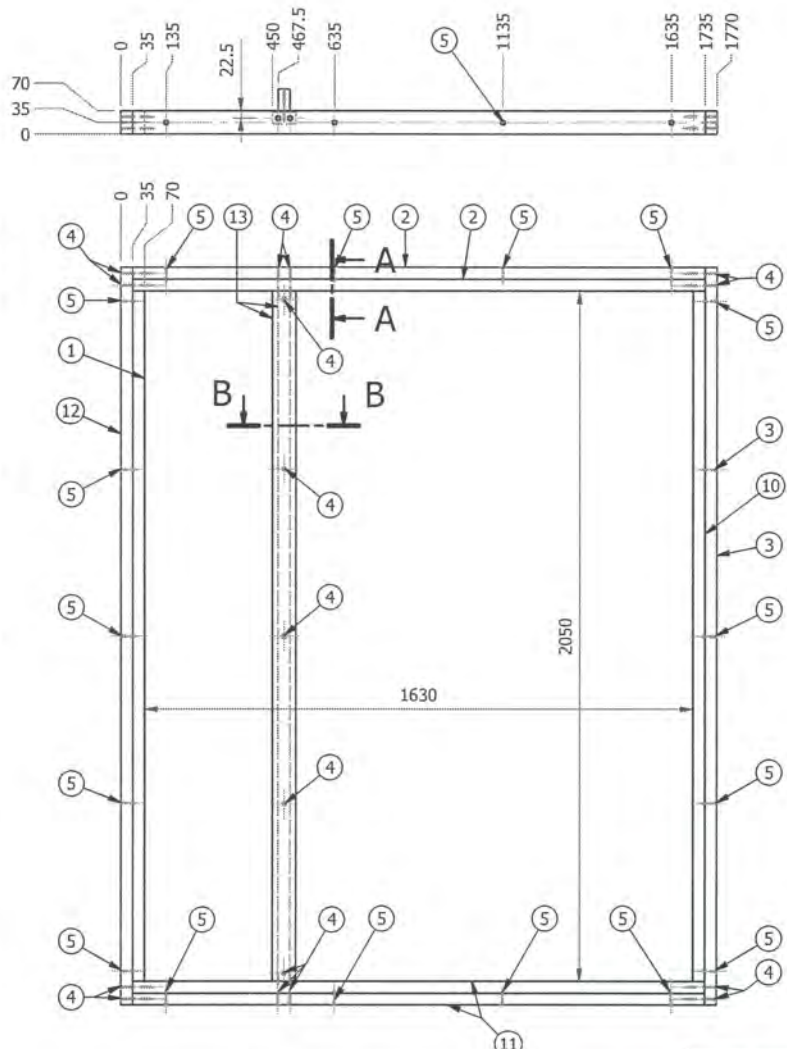
Checked by:

Prowler Proof Gershwin Pty Ltd 122 BUCHANAN RD BANYO, QLD. 4014 PH: +61 7 3363 0666 FAX: +61 7 3267 5411	DRAWN: SMH DATE: 11/08/2014	TITLE: PROTEC - SLIDING DOOR TESTING SAMPLE	SHEET 1 OF 1
	CHECKED: DATE	PART NUMBER: P10-000034	DRAWING DOCUMENT FILE NAME: P10-000034.idw MODEL DOCUMENT FILE NAME: P10-000034.lam
APPR. DATE	RAW MATERIAL	PROWLER PROOF STOCK CODE:	REV: A
© THIS DRAWING AND ITS CONTENTS ARE CONFIDENTIAL AND ARE SUBJECT TO RETURN ON DEMAND AND MAY NOT BE COPIED OR DISCLOSED TO ANY THIRD PARTY OR USED DIRECTLY OR INDIRECTLY FOR ANY OTHER PURPOSE THAN AS EXPRESSLY DETERMINED IN WRITING BY Gershwin Pty. Ltd.		UNLESS OTHERWISE SPECIFIED X = ±1mm X.X = ±0.5mm X.XX = ±0.25mm	ALL DIMENSIONS IN MILLIMETERS ALL THREAD TO BE METRIC COARSE ALL WELDS TO AS1554 ALL BURRS AND SHARP EDGES TO BE REMOVED
DO NOT SCALE DRAWING		WEIGHT: 44 kg	SHEET SIZE: A3

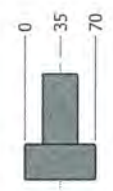
REV. No	INITIALS	REL. DATE	SMH	DATE	APP. BY	DATE
A			SMH	11/8/14		

Checked by:

IF IN DOUBT ASK 1



A (1 : 5)



B-B (1 : 5)

BILL OF MATERIALS			
ITEM	QTY	PART NUMBER	DESCRIPTION
1	1	P10-000058	PINE STUD 70X35
2	2	P10-000056	PINE STUD 70X35
3	1	P10-000054	PINE STUD 70X35
4	17	14Gx100MM	BUGLE HEAD BATTEN SCREW
5	18	14Gx50MM	BUGLE HEAD BATTEN SCREW
6	1	P10-000049	SILL TRACK
7	1	P10-000048	U CHANNEL - 25X20MM
8	1	P10-000047	INTERLOCK HD 3MM
9	1	P10-000046	SLIDING HEAD TRACK - 25X25MM
10	1	P10-000057	PINE STUD 70X35
11	2	P10-000055	PINE STUD 70X35
12	1	P10-000053	PINE STUD 70X35
13	1	P10-000051	PINE STUD 70X35
14	1	P10-000050	PINE STUD 70X35



ISOMETRIC VIEW

FRONT VIEW 1 (1 : 15)

NATA Accredited Laboratory
 Number: 15147

This laboratory is accredited by the National Association of Testing Authorities, Australia. The tests reported herein have been performed in accordance with its scope of accreditation. This document shall not be reproduced, copied or used in full.

Checked by: [Signature]

Prowler Proof Gershwin Pty Ltd		DRAWN: SMH DATE: 11/08/2014	TITLE: SLIDING DOOR - TEST FRAME	SHEET 1 OF 1
122 BUCHANAN RD BANYO, QLD. 4014 PH: +61 7 3363 0666 FAX: +61 7 3267 5411		CHECKED: [] DATE: []	PART NUMBER: P10-000066	SCALE: SEE VIEW
RAW MATERIAL		APPR. [] DATE []	PROWLER PROOF STOCK CODE:	REV: A
© THIS DRAWING AND ITS CONTENTS ARE CONFIDENTIAL AND ARE SUBJECT TO RETURN ON DEMAND AND MAY NOT BE COPIED OR DISCLOSED TO ANY THIRD PARTY OR USED DIRECTLY OR INDIRECTLY FOR ANY OTHER PURPOSE THAN AS EXPRESSLY DETERMINED IN WRITING BY Gershwins Pty. Ltd.		UNLESS OTHERWISE SPECIFIED X = ±1mm X.X = ±0.5mm X.XX = ±0.25mm	MACHINE FINISHES = 3.2 = ±1°	ALL DIMENSIONS IN MILLIMETERS ALL THREAD TO BE METRIC COARSE ALL WELDS TO AS1554 ALL BURRS AND SHARP EDGES TO BE REMOVED
REVISION HISTORY		DO NOT SCALE DRAWING		WEIGHT: 29 kg SHEET SIZE: A3

b do 8

IF IN DOUBT ASK 1

2

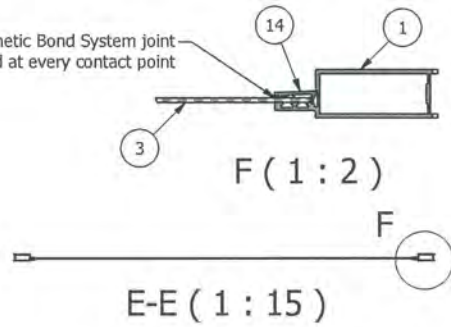
3

4

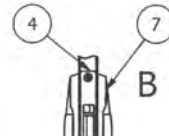
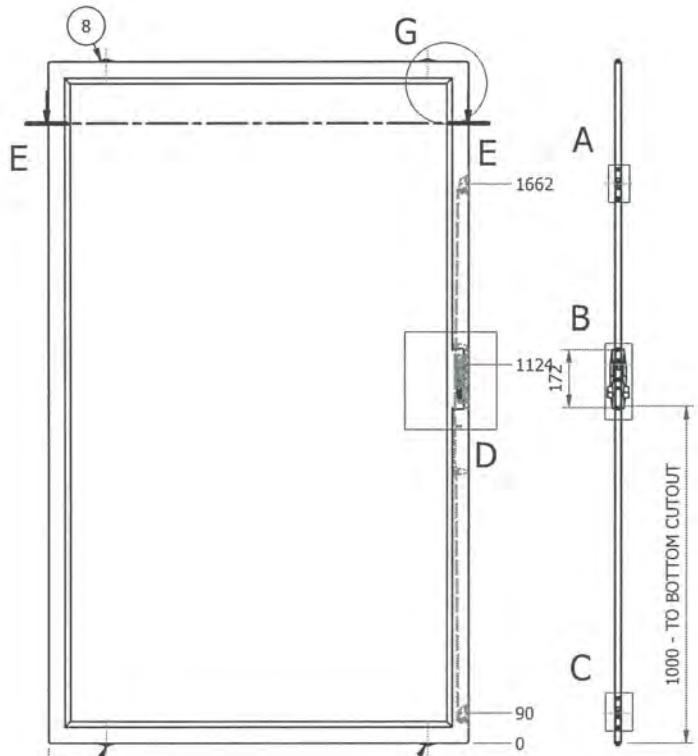
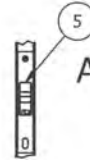
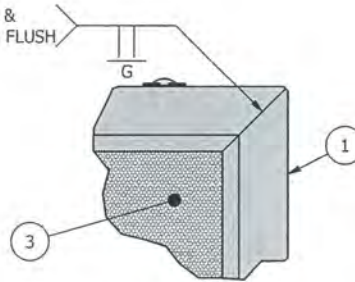
5

6

Synthetic Bond System joint
Bonded at every contact point



WELDED &
GROUND FLUSH



BILL OF MATERIALS			
ITEM	QTY	PART NUMBER	DESCRIPTION
1	1	P10-000044	PTD 5800MM MF
2	1	P10-000040	PT RETAINER 3000MM BLK
3	1	P10-000052	PT MESH 1200 X 2000MM BK
4	1	102424	102424 Lockwood - 8653 Lock Body
5	2	102532	Lockwood 8653 Auxiliary Lock
6	1	102168	Lockwood - 8653 Connecting Bar (Rods)
7	1	102165	Lockwood - 8653 Furniture Pack - Black
8	4	3305206	Speed Fit - Offset SSteel Roller
9	1	P10-000045	INTERLOCK HD DOOR
10	1	P10-000043	PTD 5800MM MF
11	1	P10-000042	PTD 5800MM MF
12	1	P10-000041	PTD 5800MM MF
13	1	P10-000039	PT RETAINER 3000MM BLK
14	1	P10-000038	PT RETAINER 3000MM BLK
15	1	P10-000037	PT RETAINER 3000MM BLK
16	1	P10-000036	PT RETAINER 3000MM BLK
17	1	P10-000035	PT RETAINER 3000MM BLK



6 to b

NATA Accredited Laboratory
Number 15147

FRONT VIEW 1

This laboratory is accredited by the National Association of Testing Authorities, Australia. The tests reported herein have been performed in accordance with its scope of accreditation. This document shall not be reproduced, except in full, without the written history.

Checked by:

Prowler Proof Gershwin Pty Ltd		DRAWN SMH	DATE 11/08/2014	TITLE: PROTEC - SLIDING DOOR	SHEET 1 of 1
122 BUCHANAN RD BANYO, QLD. 4014 PH: +61 7 3363 0666 FAX: +61 7 3267 5411		CHECKED	DATE	PART NUMBER: P10-000069	SCALE: SEE VIEW
© THIS DRAWING AND ITS CONTENTS ARE CONFIDENTIAL AND ARE SUBJECT TO RETURN ON DEMAND AND MAY NOT BE COPIED OR DISCLOSED TO ANY THIRD PARTY OR USED DIRECTLY OR INDIRECTLY FOR ANY OTHER PURPOSE THAN AS EXPRESSLY DETERMINED IN WRITING BY Gershwin Pty. Ltd.		APPR.	DATE	DRAWING DOCUMENT FILE NAME: P10-000069.idw	REV: A
UNLESS OTHERWISE SPECIFIED X = ±1mm X.X = ±0.5mm X.XX = ±0.25mm		RAW MATERIAL		MODEL DOCUMENT FILE NAME: P10-000069.iam	3RD ANGLE PROJECTION
MACHINE FINISHES = 3/2 ± 1°				PROWLER PROOF STOCK CODE:	DO NOT SCALE DRAWING
ALL DIMENSIONS IN MILLIMETERS ALL THREAD TO BE METRIC COARSE ALL WELDS TO AS1554 ALL BURRS AND SHARP EDGES TO BE REMOVED				WEIGHT: 12 kg	SHEET SIZE: A3

REV. No	INITIALS	DATE	APP. BY	DATE
	SMH	12/8/14		



Laboratory Report

Date

14-October-2014

Customer

Prowler Proof

Test No :

AZT0304.14



NATA Accredited Laboratory No.: 15147

Azuma Design Pty Limited
52 Justin street Smithfield. NSW 2164 Ph 02 9604 0255 E-Mail info@azumadesign.com.au

This document is issued in accordance with NATA's accreditation requirements.
Accredited for compliance with ISO/IEC 17025.
This document shall not be reproduced, except in full.

AZUMA DESIGN

TESTING LABORATORY REPORT



SIGNATORIES

Reported by:	Robert Irwin <i>[Signature]</i>
Checked by:	Ashley Horne <i>[Signature]</i>

Date	14-Oct-14
Test No:	AZT0304.14

NATA Accredited Laboratory No.: 15147

Pass/ Fail requirements to AS 5041

Test data and results as shown.

Passed

Reason for test
AS 5041 Conformance.

Knife shear testing

Manufacturer

Customer

Prowler Proof

Description of product

Perforated Mesh 645 x 645mm

Results

	Length of complete penetration (in mm)	New Blade used (Yes / No)
Test number 1	0	Yes
Test number 2	0	Yes
Test number 3	12.5	Yes

Observations

1. Knife snagged and held for 20 seconds.
2. On the second pass the knife snagged and the blade tip snapped. The snag was held for 20 seconds.
3. On the third pass the blade penetrated the mesh for 12.5mm then snag held for 20 seconds.

AZUMA DESIGN

TESTING LABORATORY REPORT

Details of product for testing

Infill

Material type and grade :	Aluminium		
Manufacturers	Name	Prowler Proof	
	Identi / Part number	Protec Mesh	
Attached dimensional drawing No:		Issue :	
Dimensions (in mm):			
Material thickness:	1.6mm	Spacing :	1.7
		Aperture:	2.5
Surface finish / coating :	Powdercoat		

Means of securing to frame :

Mechanical Bolt	If means of securing is OTHER, submit full details on separate sheet attach to Final report
-----------------	---

Weld details

Type of weld		Weld pattern	
--------------	--	--------------	--

Fastener details

Manufacturers	Name	
	Identification / Part number	
Material		If material type is OTHER, submit full details on separate sheet and attach to final report
Surface finish		
Length & dia/Gauge		
Qty & location		
	Show details on attached sheet	

IF IN DOUBT ASK 1

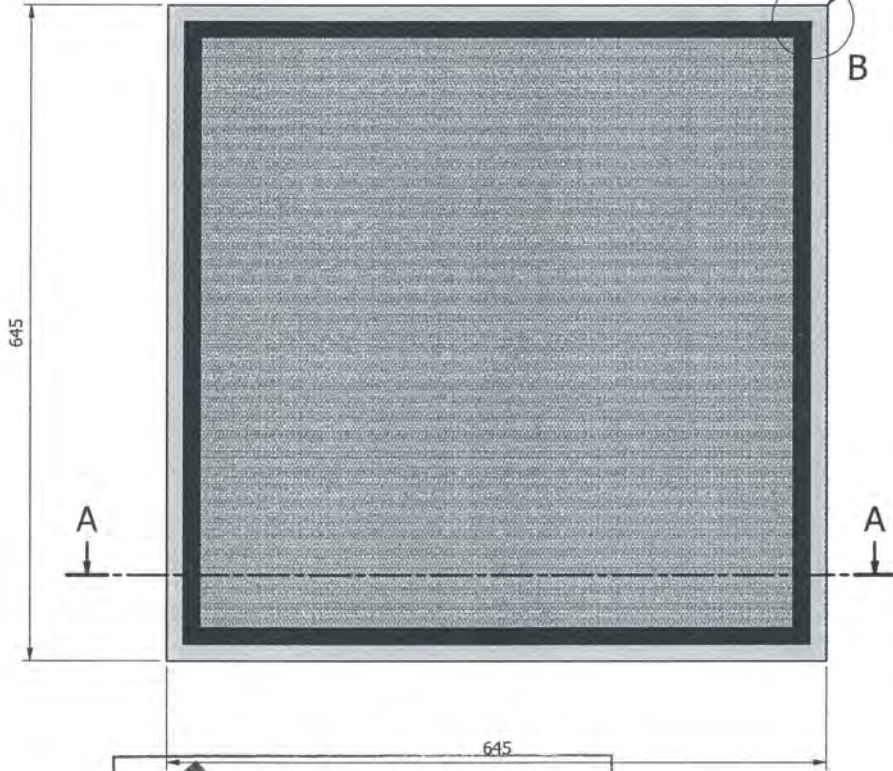
SYNTHETIC BOND SYSTEM BONDED AT EVERY CONTACT POINT

FRAME
CLAMP

SECTION A-A
(1:2)

WELDED & GROUND FLUSH

DETAIL B
(1:2)



ISOMETRIC



NATA Accredited Laboratory
Number: 15147

This laboratory is accredited by the National Association of Testing Authorities, Australia. The tests reported herein have been performed in accordance with its scope of accreditation. This document shall not be reproduced, except in full.

Checked by:

Prowler Proof
Gershwin Pty Ltd



122 BUCHANAN RD
BANYO, QLD. 4014
PH: +61 7 3363 0666
FAX: +61 7 3267 5411

DRAWN SMH	DATE 15/10/2014	TITLE: KNIFE SHEAR TEST-PROTEC		SHEET 1 OF 1
CHECKED	DATE			SCALE: SEE VIEW
APPR.	DATE	PART NUMBER: P10-000103	DRAWING DOCUMENT FILE NAME: P10-000103.dwg	REV: A
RAW MATERIAL	PROWLER PROOF STOCK CODE:	MODEL DOCUMENT FILE NAME: P10-000103.lam		

© THIS DRAWING AND ITS CONTENTS ARE CONFIDENTIAL AND ARE SUBJECT TO RETURN ON DEMAND AND MAY NOT BE COPIED OR DISCLOSED TO ANY THIRD PARTY OR USED DIRECTLY OR INDIRECTLY FOR ANY OTHER PURPOSE THAN AS EXPRESSLY DETERMINED IN WRITING BY Gershwin Pty. Ltd

UNLESS OTHERWISE SPECIFIED

X = ±1mm
X.X = ±0.5mm
X.XX = ±0.25mm

MACHINE FINISHES = $\sqrt{32}$
= ±1°

ALL DIMENSIONS IN MILLIMETERS
ALL THREAD TO BE METRIC COARSE
ALL WELDS TO AS1554
ALL BURRS AND SHARP EDGES TO BE REMOVED

3RD ANGLE PROJECTION



DO NOT SCALE DRAWING

WEIGHT: 5 kg

SHEET SIZE: A3

REV. No	REVISION DESCRIPTION	SMH	DATE	APP. BY	DATE
1	INITIAL RELEASE - PREVIOUS REVISIONS SUPERSEDED	SMH	15/10/14		
REVISION HISTORY					