

ASSA ABLOY AUSTRALIA

TEST REPORT 2012034-1

**Welded LD Hinged Security Screen Door
Sample Number – 142311-1**

FOR

**Gershwin Pty Ltd
Trading as Prowler Proof**



WORLD RECOGNISED
ACCREDITATION

NATA Accredited Laboratory
Number: 14426

Accredited for compliance with ISO/IEC
17025

Date of issue: 22/05/2012

ASSA ABLOY Australia**Test Report
Hinged Security Screen Door**

Test Report Number:	2012034-1	Project Number:	10237
Manufactured By:	Prowler Proof	Date of Submission:	17/05/2012
Tested By:	A Sterrenberg and C Horton	Date:	17/05/2012
Certified By:	A Sterrenberg	Date:	17/05/2012
Witnessed By:	Andries Botha	Date:	17/05/2012

Details of Test Door

Type:	Hinged security screen door
Make or Model:	Welded LD
Sample Number:	142311-1
Gap Between Door and Mounting Frame:	- Lock side: 3.07mm - Hinge side: 3.3mm
Frame Size:	2040mm (H) x 870mm (W)
Framing Material:	Pinus Radiata.
Constructional Description of Test Security Hinged Door:	
Hinged security screen door with infill welded to frame. Frame corners welded	

Details of Test door Infill

Type and Fabrication Method:	Extruded and expanded large diamond grille
Manufacturer's Name / Part Number:	Prowler Proof - PPLD127
<u>Type 1 Infill (if applicable)</u>	
1) Number of Intersected Strands in a 150mm Circle:	8
2) Breaking Force in Shear of One Strand (min 3kN):	4.93,5.11
Multiplication of Above Points 1 and 2 (min 30kN):	39.50, 40.94

Refer attached Shear test report*(Above details supplied by customer not by testing authority)*

Test Report Hinged Security Screen Door

Dynamic Impact Test – AS 5039 / 5041

Measurement Before Impact Test at Impact Point (datum reading): 10mm		Pass	Fail
Test	Remarks		
Impact One:	31mm Deflection from datum. Grille secure to frame.	✓	-
Impact Two:	36mm Deflection from datum. Grille secure to frame.	✓	-
Impact Three:	38mm Deflection from datum. Grille secure to frame.	✓	-
Impact Four:	40mm Deflection from datum. Grille secure to frame.	✓	-
Impact Five:	42mm Deflection from datum. Grille secure to frame.	✓	-
150mm Diameter Probe test using R.M.F:		✓	-

Jemmy Tests – AS 5039 / 5041

Location	Remarks	Pass	Fail
Centre Locking Point:	187Nm at full rotation of lever. Locking point secure.	✓	-
Bottom Locking Point:	184Nm at full rotation of lever. Locking point secure.	✓	-
Top Locking Point:	212Nm at full rotation of lever. Locking point secure.	✓	-
Centre Hinge:	96Nm at full rotation of lever. Hinge point secure.	✓	-
Bottom Hinge	106Nm at full rotation of lever. Hinge point secure	✓	-
Top Hinge:	99Nm at full rotation of lever. Hinge point secure	✓	-

Infill Pull Tests – AS 5039/ 5041

Location	A 450mm Maximum	B 150mm Maximum	C 100x100mm Maximum	D	E	Pass	Fail
Centre Grille (1.5kN):	✓	✓	✓	✓	✓	✓	-
Bottom corner – Lock side (2kN @ 18°)	✓	✓	✓	✓	✓	✓	-
Bottom corner – Lock side (2kN @ 18°)	✓	✓	✓	✓	✓	✓	-

- A - Maximum size of any gap between grille and grille frame or grille frame and door frame under load (dynamic).
 B - Maximum size of any gap between grille and grille frame or grille frame and door frame after load (static).
 C - The size of any gap caused by the infill breaking away from the security grille framing.
 D - Whether the grille remained in a fixed position.
 E - Whether the locking device maintained the door in a locked position.

Force Probe Test (Type 2 infill material only) **N/A**

Overall Test **Pass**


Remarks:

Impact test –Pass.

Jemmy tests – Pass

Pull tests – Pass

This signature indicates that testing has been conducted in accordance to the current test methods of AS 5039, and test results reflect the test findings. This report is true for the test sample presented on the day of testing.

Authorised Signature	Print Name	Date
	A. Sterrenberg	24/05/2012

Accredited for compliance with ISO/IEC 17025

Identification Details for Security Hinged Door
Submitted for Type Testing in Accordance to AS 5039/5041
 (Informative)

General

Model Number / Name:	Welded LD
Sample Number:	142311-1
Manufactured By:	Gershwin Pty Ltd trading as Prowler Proof
Date of Submission:	17/05/12
Description:	Hinged security screen door
DRAWINGS: COMPLETE ATTACHED SHEETS (Figure 1 and 2)	
(To show additional specific details of door construction such as internal stiffening, hinging, etc., attach further sheets as necessary)	

Framing Section

Type:	Extruded aluminium		
Manufacturer's-	Name: Prowler Proof	Section Number:	STD
Attached Dimensional Drawing-	Number: -	Issue:	-
Material Type and Grade:	6060-T5		
Surface Finish:	Powder coated		
Mass per Metre Length (kg):	-		
Mounting Frame Material:	See attached CAD drawings		
	(Attach drawings if necessary)		

Corner Stake – N/A, Welded corners**Mid Rail N/A****Locks**

Type: (Description of mechanism including cylinder)	Lockwood 8654 triple point security screen door lock containing a Lockwood Euro 5 pin cylinder.		
Manufacturer's-	Name: Assa Abloy	Part Number:	8654
Construction Material-	Body: Cast zinc and steel backing	Striker:	8654 standard striker plate secured with 8g, 40mm screws
Number of Locking Points:	Three (3)		
Handle (furniture) Identification:	8654 Lock furniture - Prowler Proof		
Means of Mounting:	As per manufacturer's instructions		
Mounting Location:	See attached CAD drawings		

Infill

Type and Fabrication Method:	Large Diamond Grille		
Manufacturer's-	Name: Prowler Proof	Part Number: PPLD127	
Attached Dimensional Drawing-	Number: -	Issue: -	
Material Type and Grade:	6063-T5		
Surface Finish:	Powder coated		
Diameter of Type 3 Infill: (If applicable)	See attached		
Means of Securing:	<input type="checkbox"/> Weld <input checked="" type="checkbox"/> Screw <input type="checkbox"/> Rivet <input type="checkbox"/> Other		
(If means of securing is OTHER, submit full details on a separate sheet)			
Weld Details:			
Type of Weld and Pattern:	Welded - double welded in corners and then every second contact point.		
Fastener Details: N/A			
(Attach drawings if necessary)			

Hinges

Type:	Whitco Security Door Hinge - Steel Fixed Pin		Number Fitted: Three (3)
Manufacturer's-	Name: Assa Abloy	Part Number: W831417	
Attached Dimensional Drawing-	Number: -	Issue: -	
Material Type and Grade-	Leaves: Steel	Pin: Steel fixed pin	
Surface Finish:			
Means of Securing:	<input type="checkbox"/> Weld <input type="checkbox"/> Screw <input type="checkbox"/> Rivet <input checked="" type="checkbox"/> Other		
(If means of securing is OTHER, submit full details on a separate sheet)			
Weld Details: N/A			
Fastener Details:			
Type: 5-2 blind rivet	Part Number:		
Material	<input type="checkbox"/> Alum <input checked="" type="checkbox"/> St. Steel <input type="checkbox"/> Monel <input type="checkbox"/> Steel <input type="checkbox"/> OTHER		
Surface Finish:	Stainless steel		
Length and Diameter:	5-2		
Number Used and Location:	Nine (9) – see attached		
(Attach drawings if necessary)			

Manufactured By: Prowler Proof

Sample Number: 142311-1

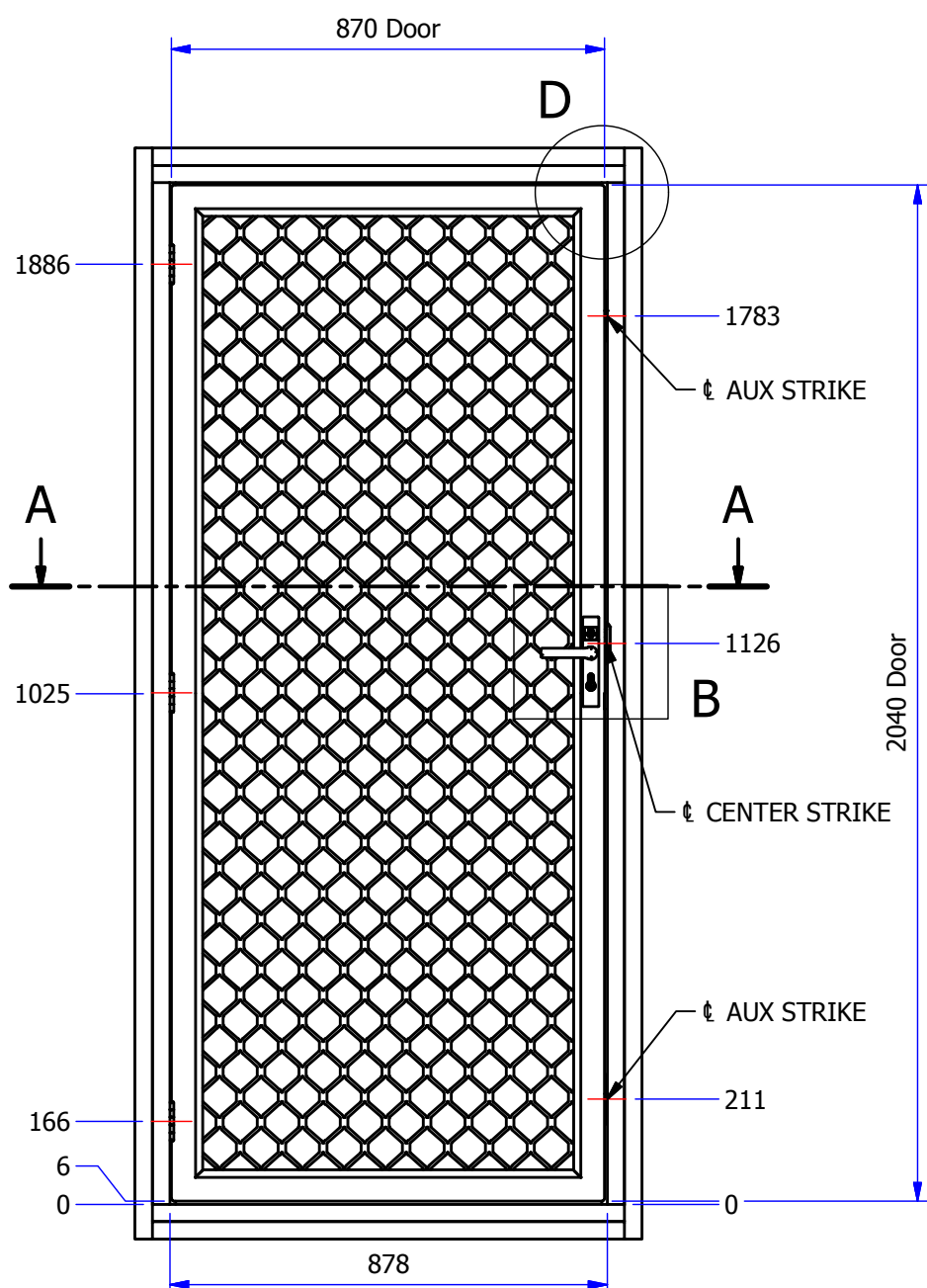
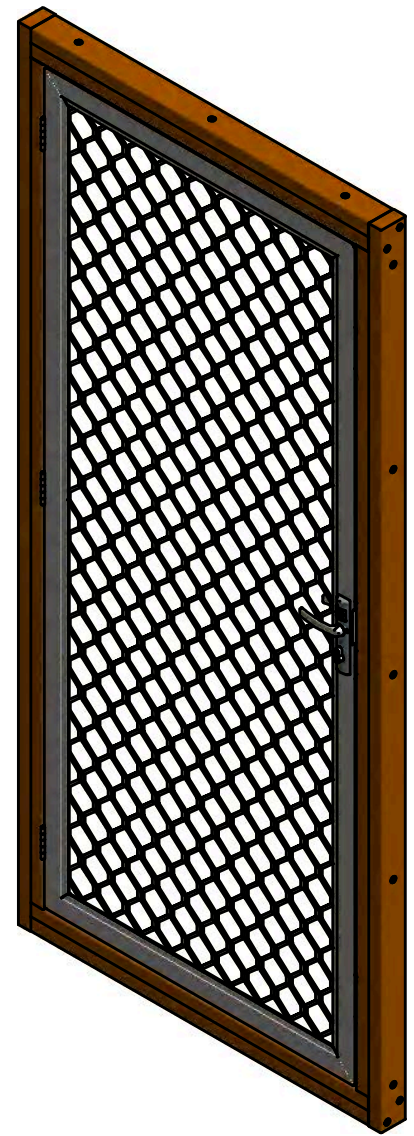
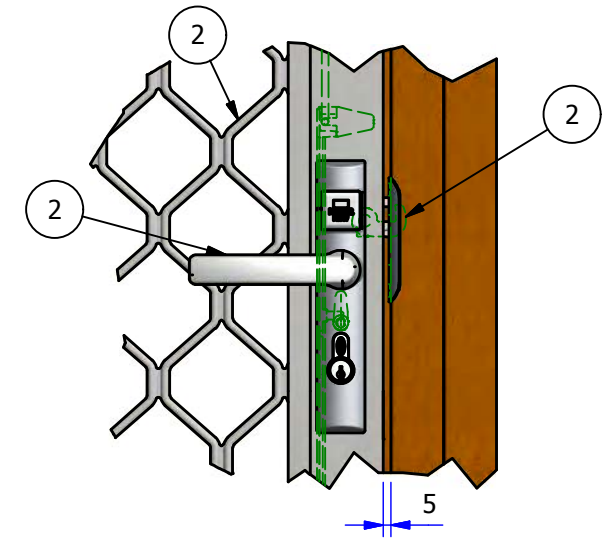
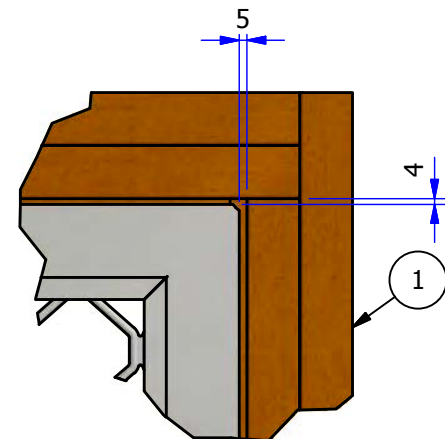
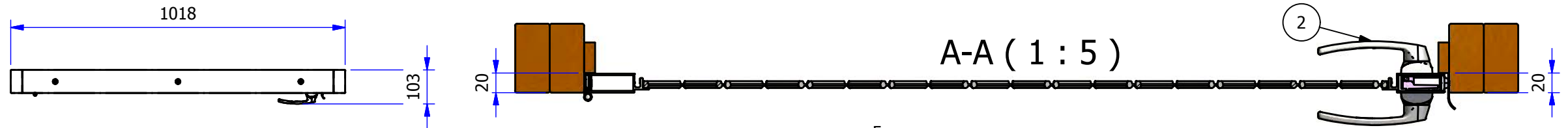
Size of Door and Location of Locking Points, Hinges and Mid-Rail - Refer attached CAD Drawing WDL D - Testing Sample.

Means of Securing Infill to Framing, Location of Welds / Fasteners - Refer attached CAD Drawing WDL D - Testing Sample.

End

BILL OF MATERIALS

ITEM	QTY	DESCRIPTION	STOCK NO./DESC.	MATERIAL	LENGTH	WIDTH
1	1	HINGED DOOR - PINE TEST FRAME	AS5039-WDLD HD2004			
2	1	WDLD - Welded Large Dimond Hinge Door	AS5039-WDLD HD2001			



<p>Prowler Proof GERSHWIN PTY LTD 122 BUCHANAN RD BANYO, QLD. 4014 PH: +61 7 3363 0666 FAX: +61 7 3267 5411</p>	DRAWN	DATE	TITLE:	PROCESS CODE:
	CAD	9/11/2012	AS5039 - Testing	SHEET 1 OF 1
	CHECKED	DATE	WDLD - Testing Sample	SCALE NTS
	APPR.	DATE	PART NUMBER: AS5039-WDLD HD1000	DRAWING DOCUMENT FILE NAME: AS5039-WDLD HD1000.idw MODEL DOCUMENT FILE NAME: AS5039-WDLD HD1000.iam
RAW MATERIAL	MATERIAL THICKNESS	STOCK NUMBER / DESCRIPTION	REV.	

• THIS DRAWING AND ITS CONTENTS ARE CONFIDENTIAL AND ARE SUBJECT TO RETURN ON DEMAND AND MAY NOT BE COPIED OR DISCLOSED TO ANY THIRD PARTY OR USED DIRECTLY OR INDIRECTLY FOR ANY OTHER PURPOSE THAN AS EXPRESSLY DETERMINED IN WRITING BY Gershwin Pty. Ltd.

UNLESS OTHERWISE SPECIFIED
 XX = • 1mm MACHINE FINISHES = 3.2
 X.X = • 0.5mm
 XX.XX = • 0.25mm

ALL DIMENSIONS IN MILLIMETERS
 ALL THREAD TO BE METRIC COARSE
 ALL WELDS TO AS1554
 ALL BURRS AND SHARP EDGES TO BE REMOVED

PROJECTION 3RD ANGLE

DO NOT SCALE DRAWING

WEIGHT: 26.95 kg

SHEET SIZE: A3

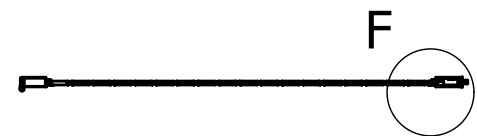
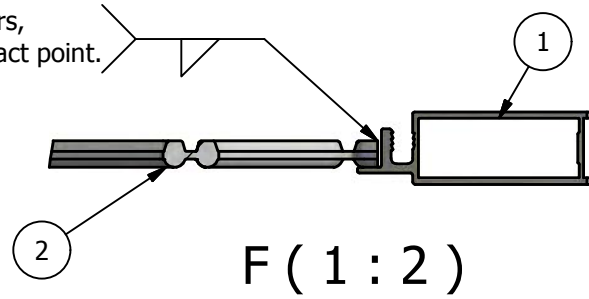
INV.

REV. No	REVISION DESCRIPTION	DRAWN	DATE	APP. BY	DATE
1	REVISION HISTORY				

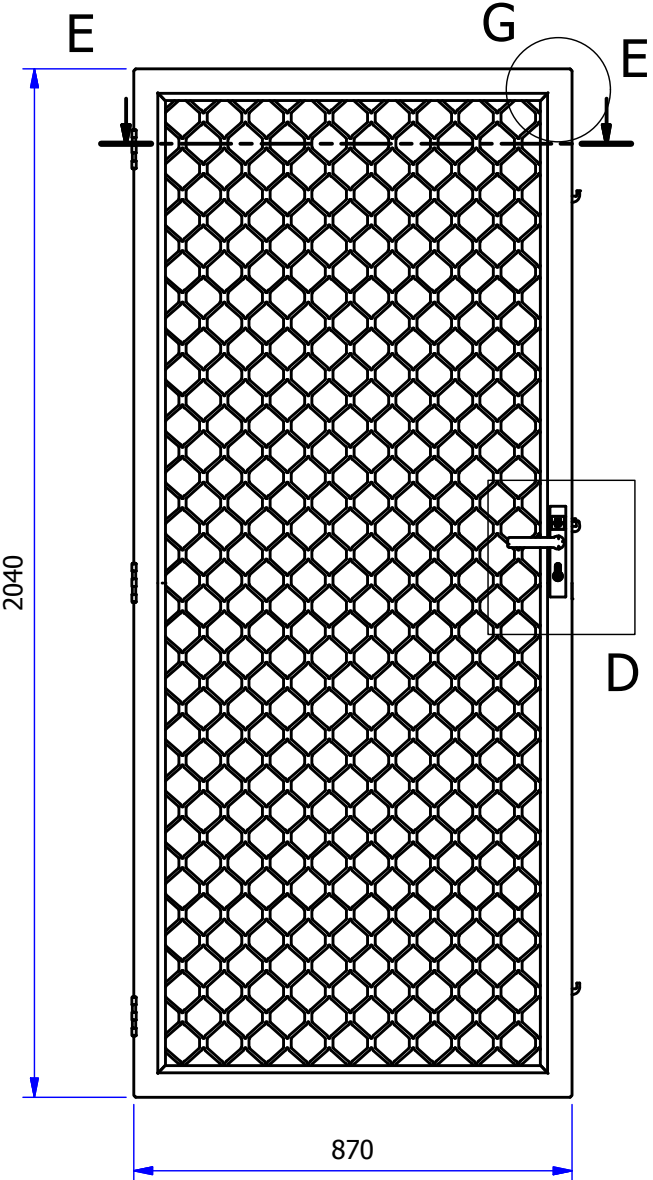
BILL OF MATERIALS

ITEM	QTY	DESCRIPTION	STOCK NO./DESC.	MATERIAL	LENGTH	WIDTH
1	6	STD 5800mm MF	100001	Al 6060 T5		
2	1	LD 1250x2450 MF	102561	AL 6063 T5	1926	756
3	3	Security Hinge - Steel	100050	Steel		
4	1	Lockwood - 8654 Lock Body - Black	102527	Generic		
5	1	Lockwood - 8654 Furniture Pack - Black	102526	Generic		
6	1	Lockwood - 8654 Auxiliary Lock	102535	Generic		

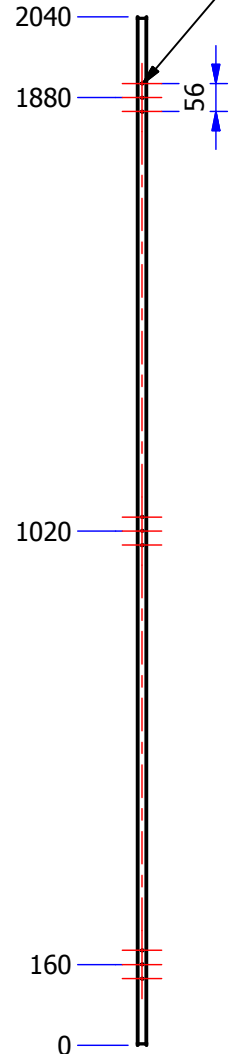
Double welded in corners, then every second contact point.



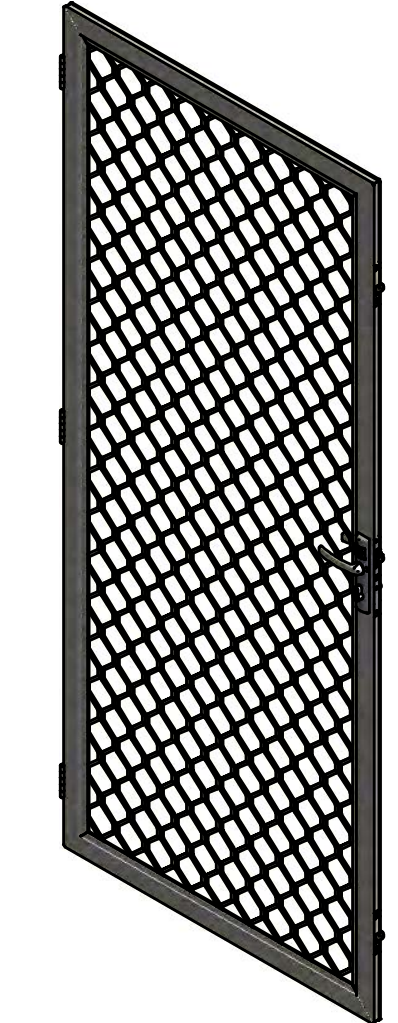
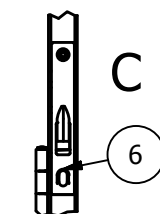
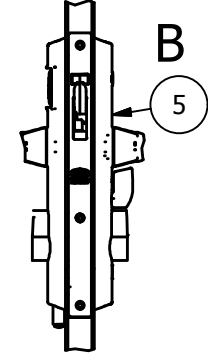
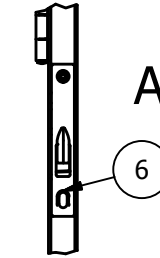
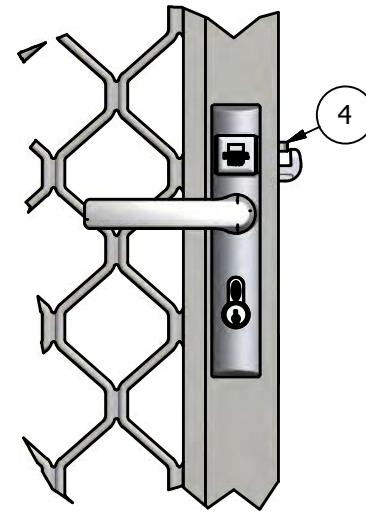
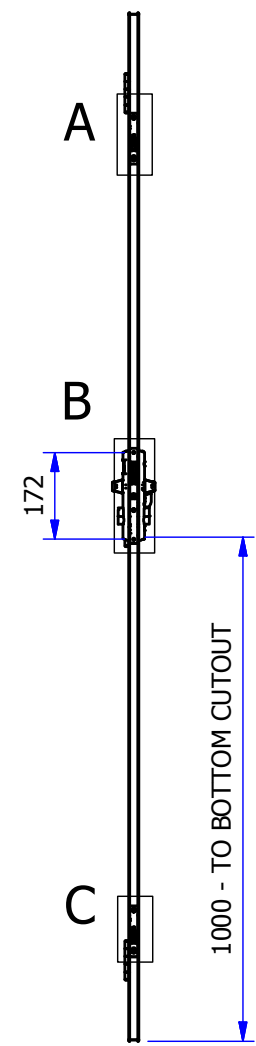
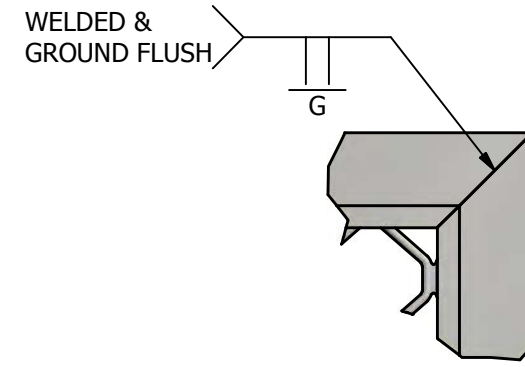
E-E (1 : 15)



3 Pilot holes for Hinge @ 3 places



WELDED & GROUND FLUSH



ISOMETRIC VIEW

Prowler Proof

GERSHWIN PTY LTD
 122 BUCHANAN RD
 BANYO, QLD. 4014
 PH: +61 7 3363 0666
 FAX: +61 7 3267 5411

DRAWN CAD	DATE 9/11/2012	TITLE: AS5039 - Testing	PROCESS CODE:
CHECKED	DATE	WDL - Welded Large Dimond Hinge Door	SHEET 1 OF 1
APPR.	DATE	PART NUMBER: AS5039-WDL HD2001	SCALE NTS
RAW MATERIAL	MATERIAL THICKNESS	STOCK NUMBER / DESCRIPTION AS5039-WDL HD2001	REV.

* THIS DRAWING AND ITS CONTENTS ARE CONFIDENTIAL AND ARE SUBJECT TO RETURN ON DEMAND AND MAY NOT BE COPIED OR DISCLOSED TO ANY THIRD PARTY OR USED DIRECTLY OR INDIRECTLY FOR ANY OTHER PURPOSE THAN AS EXPRESSLY DETERMINED IN WRITING BY Gershwin Pty. Ltd.

UNLESS OTHERWISE SPECIFIED
 XX = ± 1mm
 X.X = ± 0.5mm
 XX.XX = ± 0.25mm
 MACHINE FINISHES = 3.2
 ± 1

ALL DIMENSIONS IN MILLIMETERS
 ALL THREAD TO BE METRIC COARSE
 ALL WELDS TO AS1554
 ALL BURRS AND SHARP EDGES TO BE REMOVED

PROJECTION
 3RD ANGLE

DO NOT SCALE DRAWING

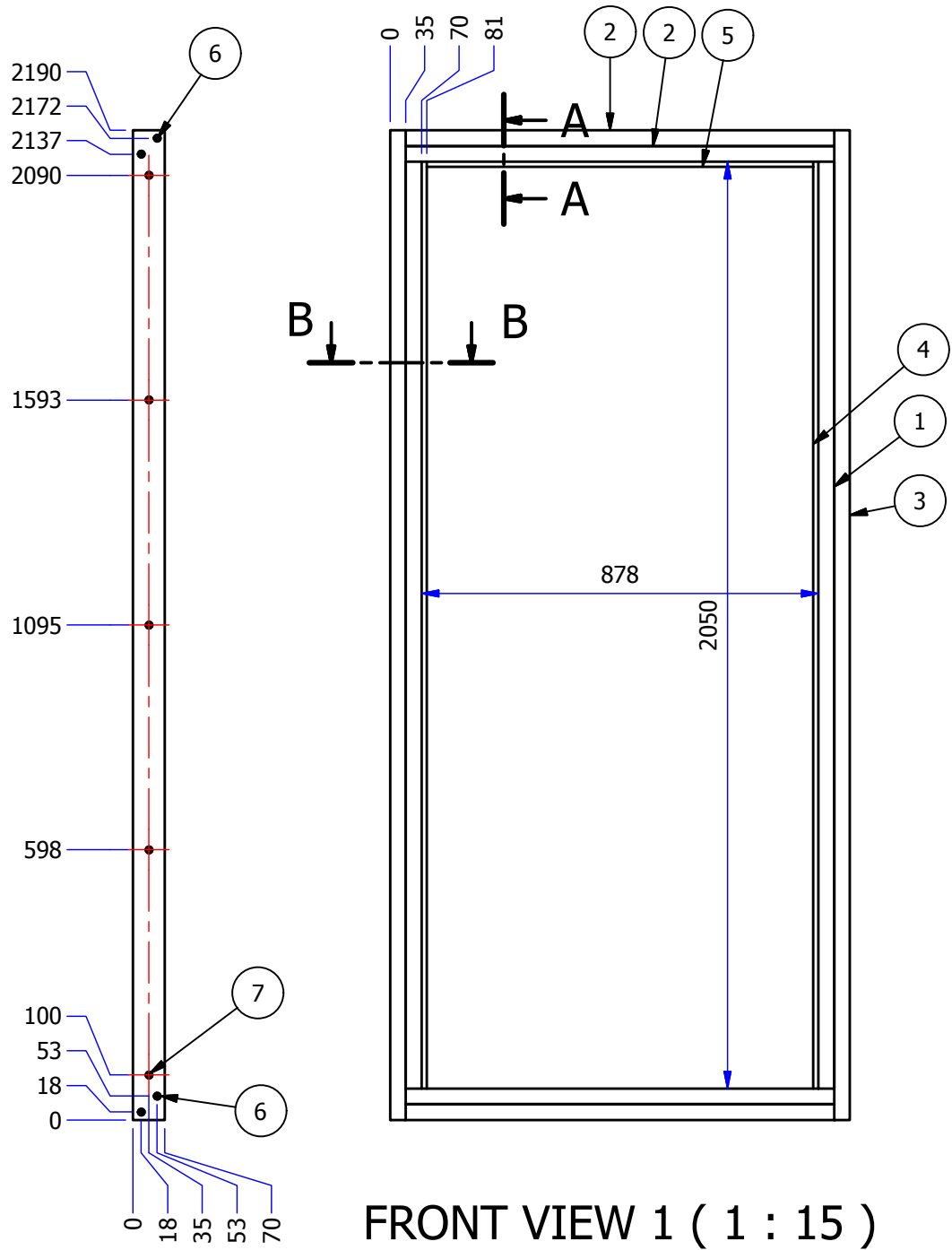
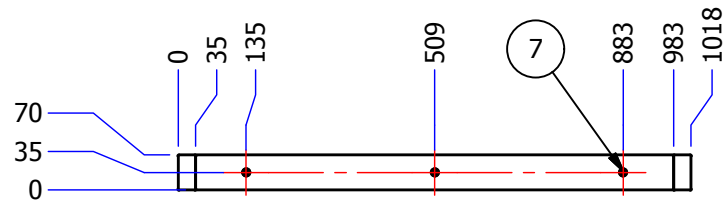
WEIGHT: N/A

SHEET SIZE: A3 INV.

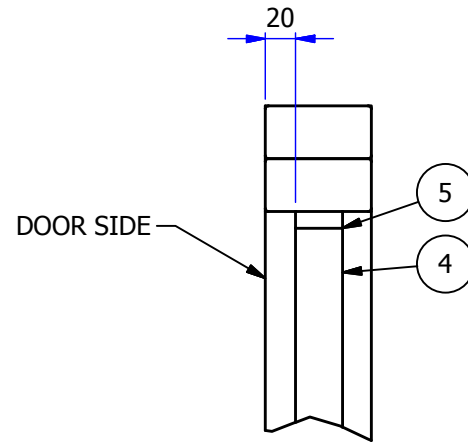
REV. No	REVISION DESCRIPTION	DRAWN	DATE	APP. BY	DATE
1	REVISION HISTORY				

BILL OF MATERIALS

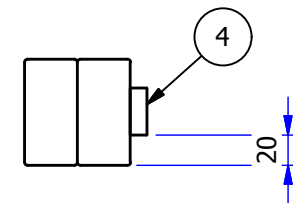
ITEM	PART NUMBER	QTY	DESCRIPTION	STOCK NO./DESC.	MATERIAL	LENGTH	WIDTH
1	Pine Stud 70x35-2050.000 mm	2	Pine Stud 70x35		Pine	2050	35
2	Pine Stud 70x35-948.000 mm	4	Pine Stud 70x35		Pine	948	35
3	Pine Stud 70x35-2190.000 mm	2	Pine Stud 70x35		Pine	2190	35
4	Pine Trim 33x11-2050.000 mm	2	Pine Trim 33x11		Pine	2050	33
5	Pine Trim 33x11-856.000 mm	1	Pine Trim 33x11		Pine	856	33
6		8	Bugle Head Batten Screw 14gx100mm		Steel, Mild	100	
7		16	Bugle Head Batten Screw 14gx50mm		Steel, Mild	50	



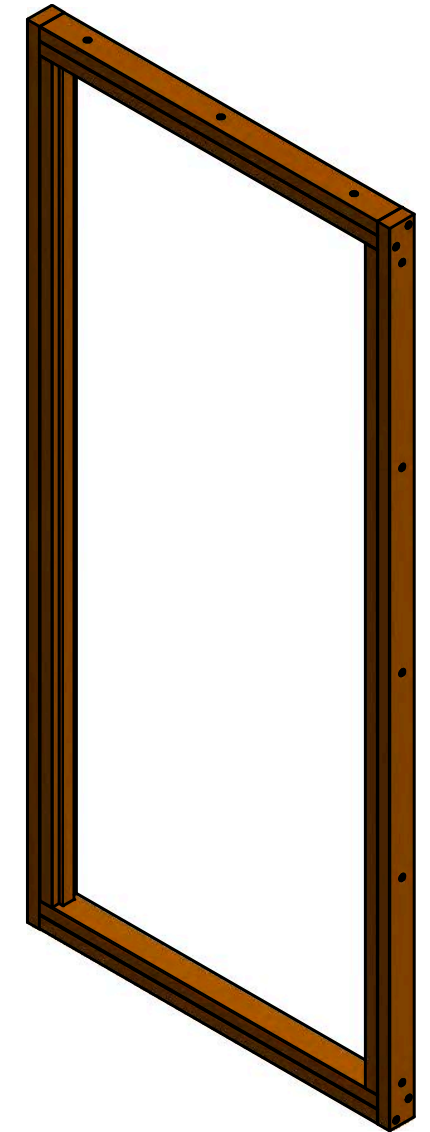
FRONT VIEW 1 (1 : 15)



A (1 : 5)



B-B (1 : 5)



ISOMETRIC VIEW (1 : 15)

<p>Prowler Proof GERSHWIN PTY LTD 122 BUCHANAN RD BANYO, QLD. 4014 PH: +61 7 3363 0666 FAX: +61 7 3267 5411</p>	DRAWN CAD	DATE 9/11/2012	TITLE: AS5039 - Testing	PROCESS CODE:
	CHECKED	DATE	HINGED DOOR - PINE TEST FRAME	SHEET 1 OF 1
	APPR.	DATE	PART NUMBER: AS5039-WDLD HD2004	SCALE NTS
	RAW MATERIAL	MATERIAL THICKNESS	STOCK NUMBER / DESCRIPTION AS5039-WDLD HD2004	REV.
<p>* THIS DRAWING AND ITS CONTENTS ARE CONFIDENTIAL AND ARE SUBJECT TO RETURN ON DEMAND AND MAY NOT BE COPIED OR DISCLOSED TO ANY THIRD PARTY OR USED DIRECTLY OR INDIRECTLY FOR ANY OTHER PURPOSE THAN AS EXPRESSLY DETERMINED IN WRITING BY Gershwin Pty. Ltd.</p>		<p>UNLESS OTHERWISE SPECIFIED XX = • 1mm X.X = • 0.5mm XX.XX = • 0.25mm</p>		<p>ALL DIMENSIONS IN MILLIMETERS ALL THREAD TO BE METRIC COARSE ALL WELDS TO AS1554 ALL BURRS AND SHARP EDGES TO BE REMOVED</p>
<p>DO NOT SCALE DRAWING</p>		<p>WEIGHT: 18.36 kg</p>	<p>PROJECTION 3RD ANGLE</p>	<p>SHEET SIZE: A3 INV.</p>

REV. No	REVISION DESCRIPTION	DRAWN	DATE	APP. BY	DATE
1	REVISION HISTORY				



NATA Accredited Laboratory No: 15147



A Z U M A
D e s i g n

AS5039

TEST REPORT
(Shear test only)

Azuma Design Pty Ltd

Address: 160 Newton Rd Wetherill Park NSW 2164 Australia **PH:** 61(02)9604 0255 **FAX:** 61(02)9604 0466

SHEAR TEST REPORT

AZT Number: AZT0064.12

Date: 1st May 2012

Manufactured By: PROWLER PROOF

Sample identification: KAU 1865, Alloy Temper 6063

Surface finish: Mill finish Aperture: 60mm

Type: I

Aim: To test the sample in accordance with Section 7 of AS5041-2003-Methods of test- Security Screen Doors and Window Grilles.

Method:

- Transpose a circle of 150 mm diameter onto the infill of the test specimen. Count and record the number of chords/strands of the infill material/grille that are intersected by the circle.
- Choose a sample chord from the test specimen. For infill material of a regular, uniform design, the sample shall be a typical strand, clear of any knuckles or webs. For infill materials of irregular design and varying strand size, the thinnest structural strand intersected by the 150 mm circle shall be taken.
- Position the sample in the shear apparatus so that its orientation in relation to the cutting edges corresponds approximately to the direction of attack within a cutting tool in situ in an infill.
- Apply a load to the test sample at a rate of 19 mm/min cross-head travel and increase the load until fracture occurs.
- Record the shear force at fracture. If a double shear tool is used, the shear force recorded shall be half that which was measured.

Requirements:

- (a) The breaking force of the chords shall be not less than 30 kN.
- (b) The shear force of any chord shall be not less than 3 kN.

Test equipment:

Azuma Hydraulic test rig
Double shear tool

Azuma Design Pty Ltd

Address: 160 Newton Rd Wetherill Park NSW 2164 Australia PH: 61(02)9604 0255 FAX: 61(02)9604 0466



SHEAR TEST REPORT

Results:

Sample A

Shear	Orientation	Double shear force	Shear force (Half of double shear force)
1	Vertical	9590	4795
2	Vertical	9550	4775
3	Vertical	9330	4665
4	Horizontal	9530	4765
5	Horizontal	10350	5175
6	Horizontal	10190	5095
7	Diagonal	10060	5030
8	Diagonal	10030	5015
9	Diagonal	10260	5130
Average =			4938.33 N

1 Number of Intersections of Strands by 150mm Dia Circle: 8

2 Average Breaking Force in Shear of one Strand (min 3kN): 4.93 kN

Multiplication of above points 1 and 2 (min 30kN): 39.50 kN

Remarks: PASSED

Azuma Design Pty Ltd

Address: 160 Newton Rd Wetherill Park NSW 2164 Australia PH: 61(02)9604 0255 FAX: 61(02)9604 0466

SHEAR TEST REPORT

Sample B

Shear	Orientation	Double shear force	Shear force (Half of double shear force)
1	Vertical	9980	4990
2	Vertical	9470	4735
3	Vertical	10210	5105
4	Horizontal	10890	5445
5	Horizontal	10320	5160
6	Horizontal	10280	5140
7	Diagonal	10360	5180
8	Diagonal	10230	5115
9	Diagonal	10390	5195
Average =			5118 N

3 Number of Intersections of Strands by 150mm Dia Circle: 8

4 Average Breaking Force in Shear of one Strand (min 3kN): 5.11 kN

Multiplication of above points 1 and 2 (min 30kN): 40.94 kN

Remarks: PASSED

CONCLUSION

From the results achieved it is evident that the sample satisfies requirement 7.6 of AS5039-2008- Security screen doors and window grilles.

SIGNATORY NAME: Rob Irwin

SIGNATURE: 

DATE: 1st May 2012

Azuma Design Pty Ltd

Address: 160 Newton Rd Wetherill Park NSW 2164 Australia PH: 61(02)9604 0255 FAX: 61(02)9604 0466



A Z U M A
Design

NATA Accredited Laboratory No: 15147



DATE: _____ 1st May 2012 _____

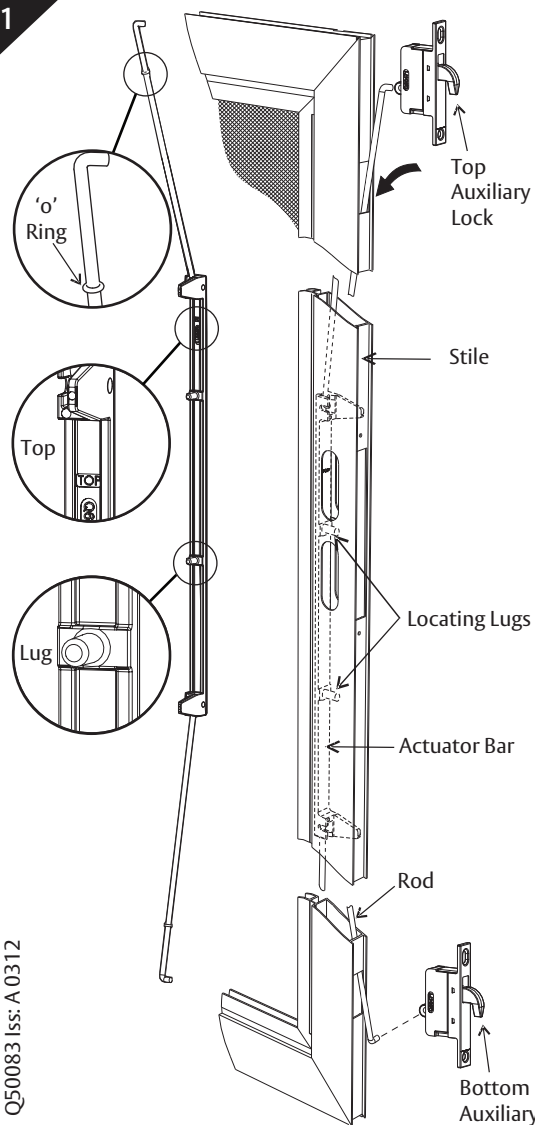
EQUIPMENTS USED TO PERFORM THE ABOVE TEST

EQUIPMENT NAME	EQUIPMENT NUMBER	√ IF USED
Tape Measure	AZTAPE0001	
1500mm Steel Rule	AZRULE0001	
Shear Test Apparatus	AZTEST0009	
Hydraulic Load Test Rig Readout	AZTEST0008	
200 mm Digital Caliper	AZCALI0010	
Knife Shear Knife	AZKNIF0001	
Knife Shear Blade	AZBLAD0001	

Azuma Design Pty Ltd

Address: 160 Newton Rd Wetherill Park NSW 2164 Australia **PH:** 61(02)9604 0255 **FAX:** 61(02)9604 0466

1

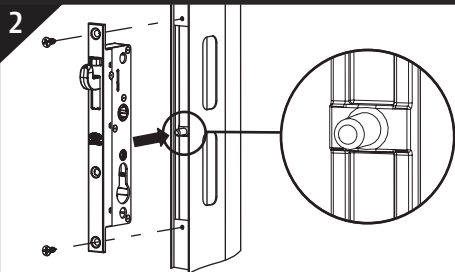


Fitting the Actuator Bar and Auxiliary Locks

Note: For ease of fitment remove door from the door frame.

- Assemble the Actuating Bar and Rods as shown prior to fitting to the door stile. With the "TOP" mark facing the front.
- Keep the locating lugs of the Actuating Bar facing the front edge of the door.
- Insert the Actuator Bar and rod assembly through the top cut-out and slide it through the door stile.
- With the Auxiliary locks in the locked position (as shown), **Important:** Connect the top Auxiliary lock first to the end of the rod followed by the bottom Auxiliary lock.
- Then push them both into the door stile.

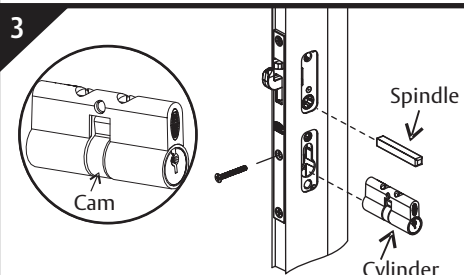
2



Fitting Central Lock

With the central lock in the factory set **Deadlock** position, insert into the stile. Locate and engage the lug on the Actuating Bar with the lock, then secure with screws. **Important:** The lock must be installed in the position shown, product warranty cannot be assured if installed upside down.

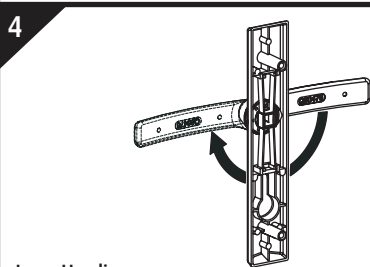
3



Fitting Cylinder & Spindle

- Insert cylinder so cam turns towards front of door.
- Loosely fix cylinder with screw.
- Then insert spindle into lock body.

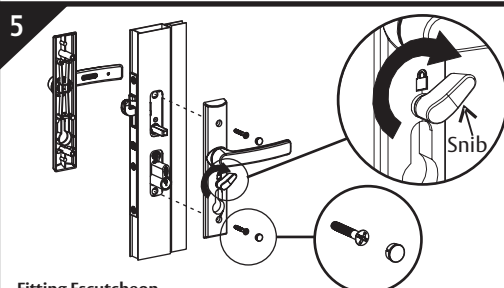
4



Lever Handling

If necessary prepare escutcheon by rotating levers 180 degrees downwards to required handing position.

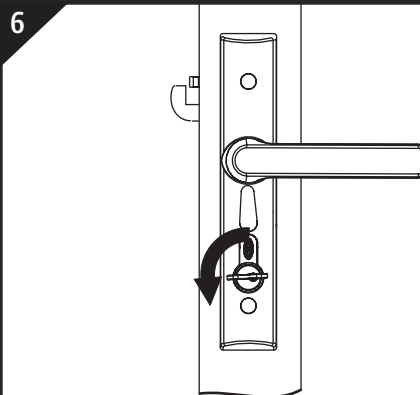
5



Fitting Escutcheon

- Fit escutcheon with snib on the inside face of the door.
- Ensure snib is to 90 degrees in the direction of the lever.
- Secure inside and outside escutcheons with screws and screw hole plugs.

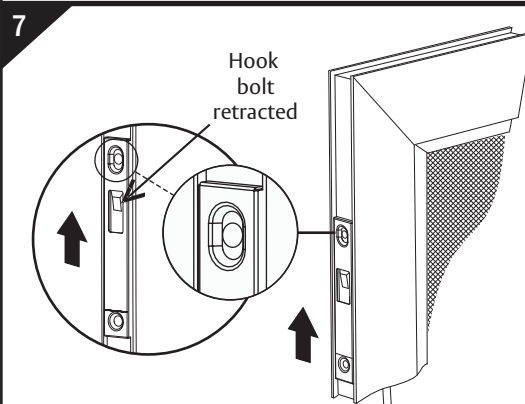
6



Passage Mode

With the central lock in the factory set **Deadlock** position, insert key and rotate 90 degrees away from the lever to the unlocked position or **Passage** mode. Snib rotates to the vertical position.

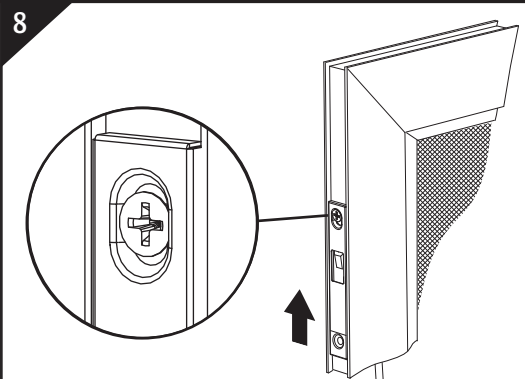
7



Drilling Hole in Top and Bottom Auxiliary Locks

- Gently push the top Auxiliary lock upwards to retract the hook bolt.
- Then drill a 3mm hole in the centre of the slotted hole.
- Repeat this step for the bottom Auxiliary lock.

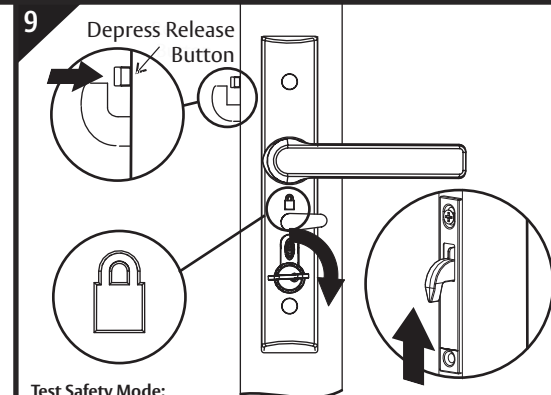
8



Fixing Screw to Top and Bottom Auxiliary Locks

- Gently push the top Auxiliary lock upwards to retract the hook bolt.
- Lightly fix screw in slotted hole.
- Repeat this step for the bottom Auxiliary lock.

9

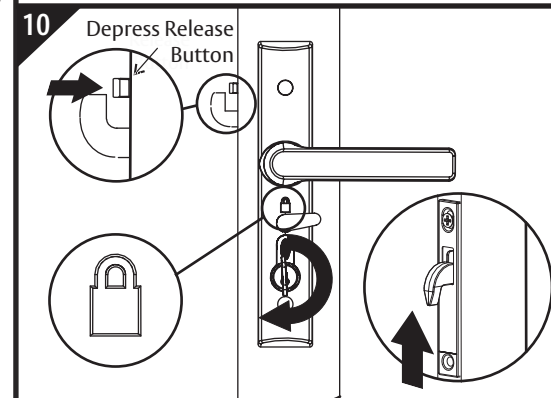


Test Safety Mode:

Important: Release button above hook bolt must be depressed. **Rotate key or snib 90 degrees towards the lever:**

- Padlock symbol is visible.
- Inside and outside levers are locked.
- Auxiliary hook bolts are thrown and locked, push hook bolts upwards to check.
- Repeat **STEP 6** to return lock to Passage mode.

10



Test Deadlock Mode:

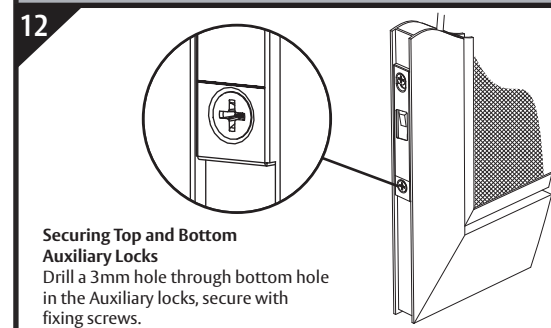
Important: Release button above hook bolt must be depressed. **Rotate key 180 degrees towards the lever:**

- Snib rotates 90 degrees towards the lever, padlock symbol is visible.
- Inside and outside levers are locked.
- Auxiliary hook bolts are thrown and locked, push hook bolts upwards to check.

11

Important: Reposition top and bottom Auxiliary locks if necessary to achieve Safety and Deadlock modes, then fully tighten fixing screws in **STEP 8**.

12

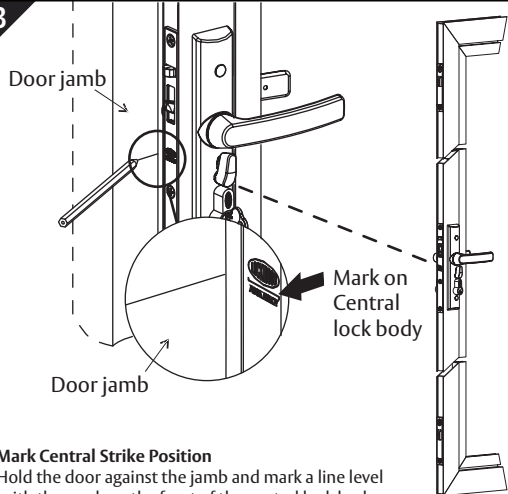


Securing Top and Bottom Auxiliary Locks

- Drill a 3mm hole through bottom hole in the Auxiliary locks, secure with fixing screws.

Timber Door Central Strike Installation (Standard 19mm door)

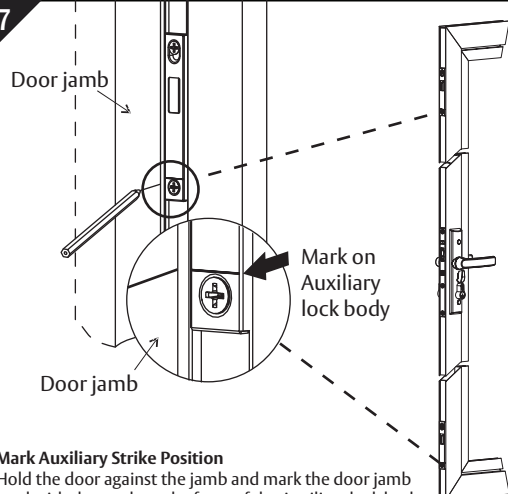
13



Mark Central Strike Position
Hold the door against the jamb and mark a line level with the mark on the front of the central lock body.

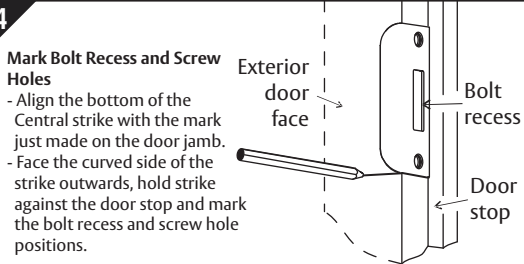
Timber Door Auxiliary Strike Installation (Standard 19mm door)

17



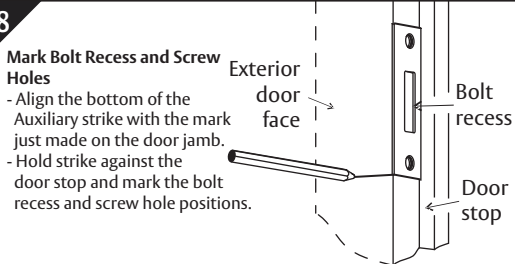
Mark Auxiliary Strike Position
Hold the door against the jamb and mark the door jamb level with the mark on the front of the Auxiliary lock body.

14



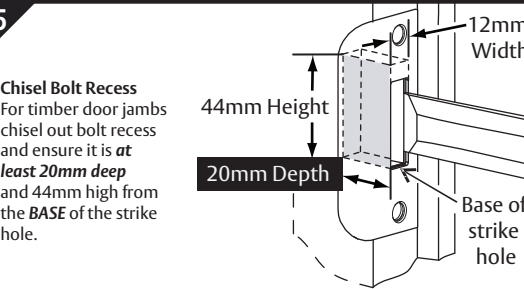
Mark Bolt Recess and Screw Holes
- Align the bottom of the Central strike with the mark just made on the door jamb.
- Face the curved side of the strike outwards, hold strike against the door stop and mark the bolt recess and screw hole positions.

18



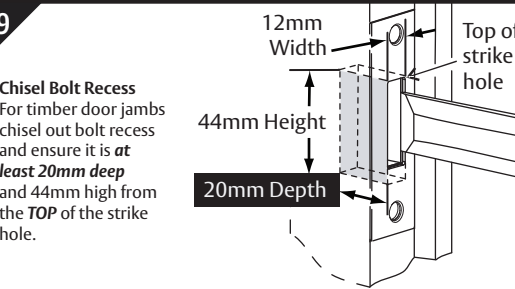
Mark Bolt Recess and Screw Holes
- Align the bottom of the Auxiliary strike with the mark just made on the door jamb.
- Hold strike against the door stop and mark the bolt recess and screw hole positions.

15



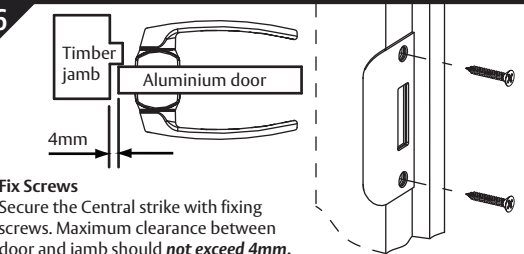
Chisel Bolt Recess
For timber door jambs chisel out bolt recess and ensure it is **at least 20mm deep** and 44mm high from the **BASE** of the strike hole.

19



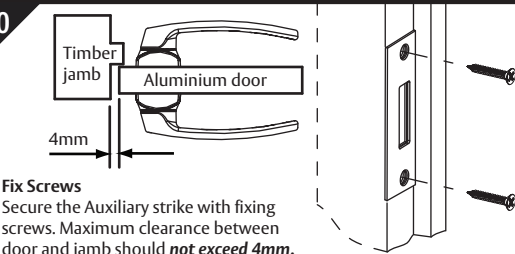
Chisel Bolt Recess
For timber door jambs chisel out bolt recess and ensure it is **at least 20mm deep** and 44mm high from the **TOP** of the strike hole.

16



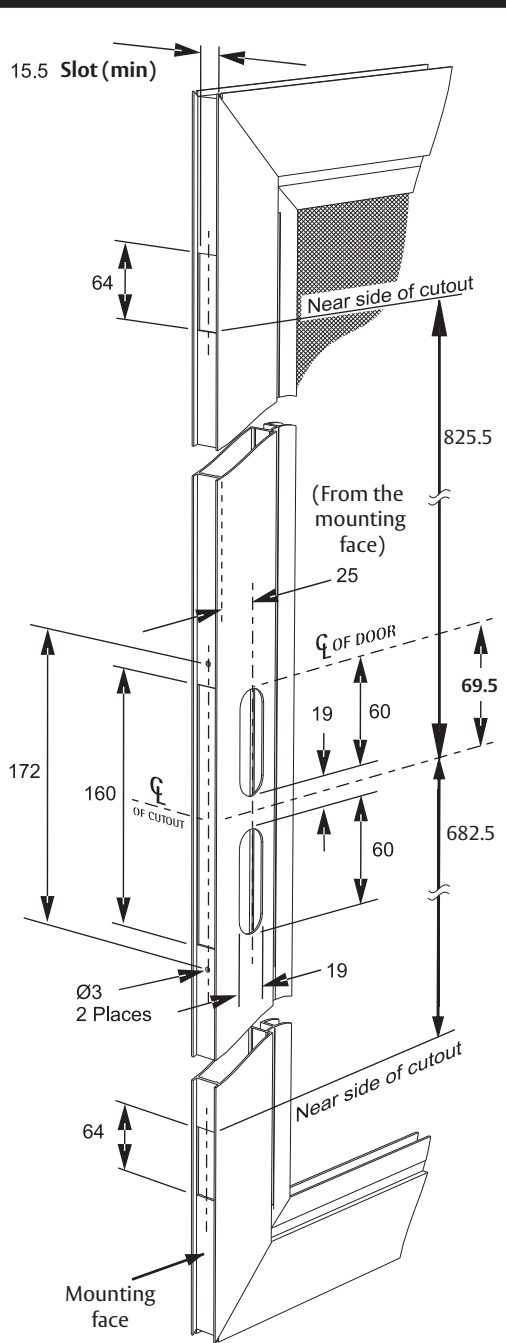
Fix Screws
Secure the Central strike with fixing screws. Maximum clearance between door and jamb should **not exceed 4mm**.

20



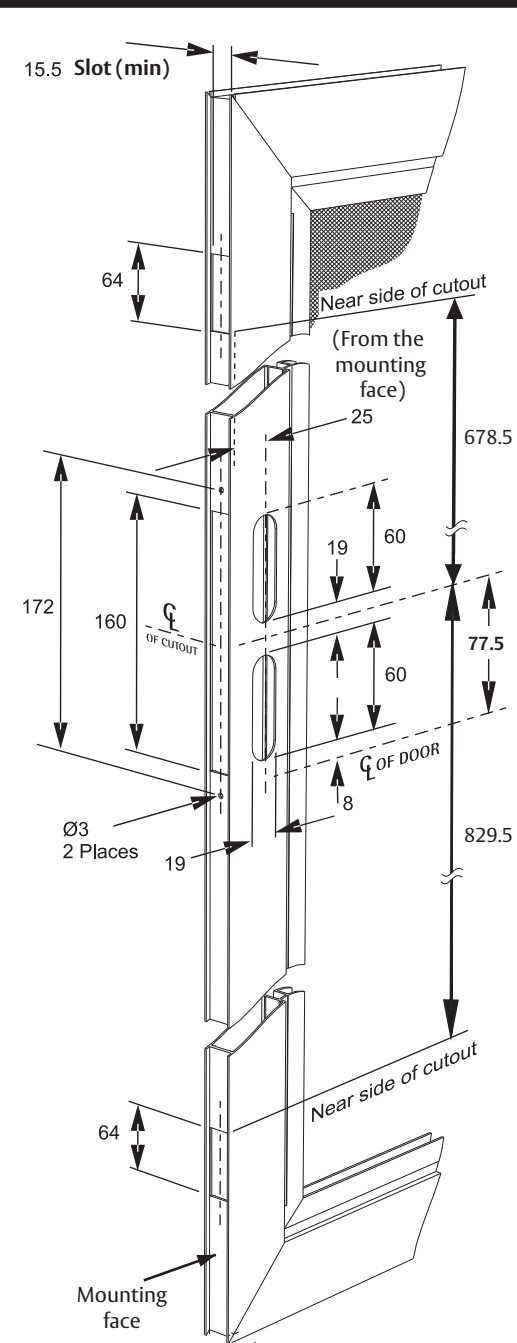
Fix Screws
Secure the Auxiliary strike with fixing screws. Maximum clearance between door and jamb should **not exceed 4mm**.

Mounting handle BELOW centreline of door



Both sides of the door section must be cut to the dimensions given. Start with the centre of door (CL OF DOOR) then measure **69.5mm BELOW** and mark the (CL OF CUTOUT).

Mounting handle ABOVE centreline of door



Both sides of the door section must be cut to the dimensions given. Start with the centre of door (CL OF DOOR) then measure **77.5mm ABOVE** and mark the (CL OF CUTOUT).